

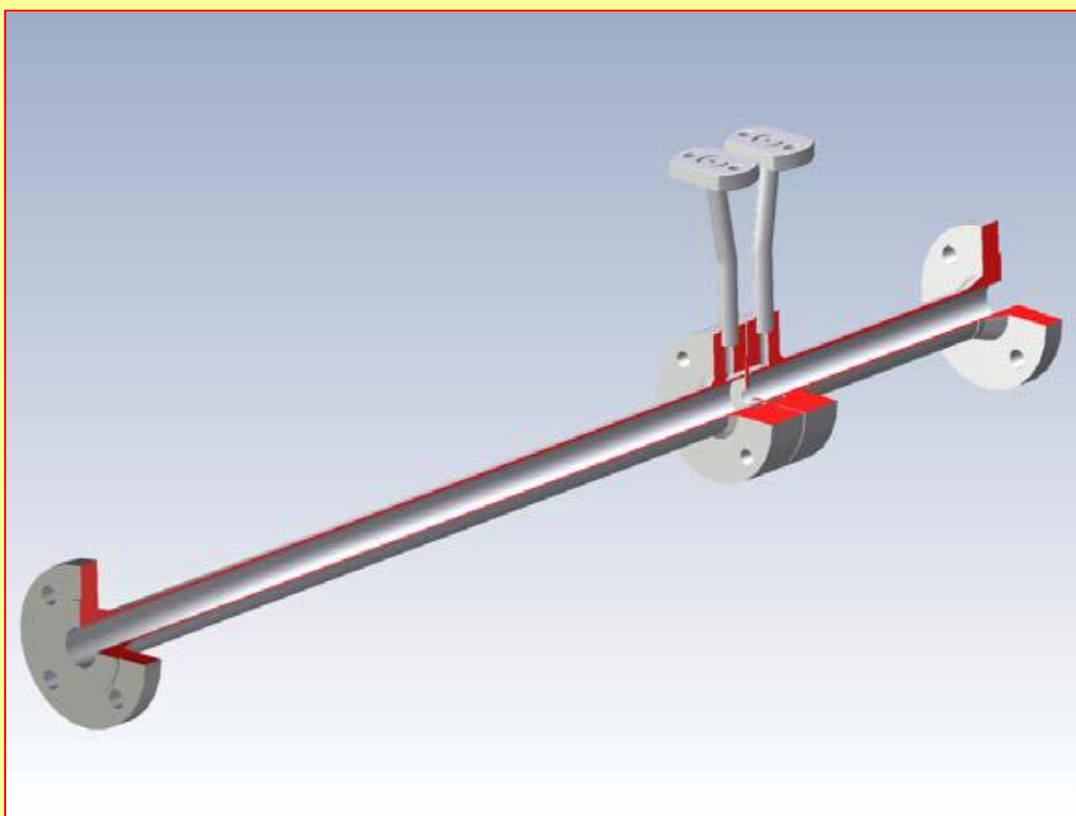
Meter Run with Transmitter Flanges for Compact Mounting, Type CompaQ

Principle

Meter Run type CompaQ is used as primary element in flow measurement of liquid, gas and steam according to the differential pressure principle. The differential pressure transmitter and 3 way manifold valve is mounted directly on the CompaQ ensuring an faster and more safe installation on site.

Construction

- Design and calculation standards : ISO 5167, BS 1042, ASME Fluid Meters, DIN 19205,
- Shell Flow Meter Engineering Handbook,
- Sizes : DN 10 – DN 100, 3/8" - 4".
- Pressure rating : PN 10 - 400, 150 - 2500 lbs
- Plate thickness : 3 mm.
- Vent or drain hole : On request.
- Material : AISI 316, other on request.
- Pipe run : Can be honed for increased accuracy.
- Pressure taps : Transmitter flanges with a 54 mm centre distance.
- Connection : Flanges with flat or raised face or groove according to DIN 2526, 2513 or 2512, or RF and RTJ according to ANSI B

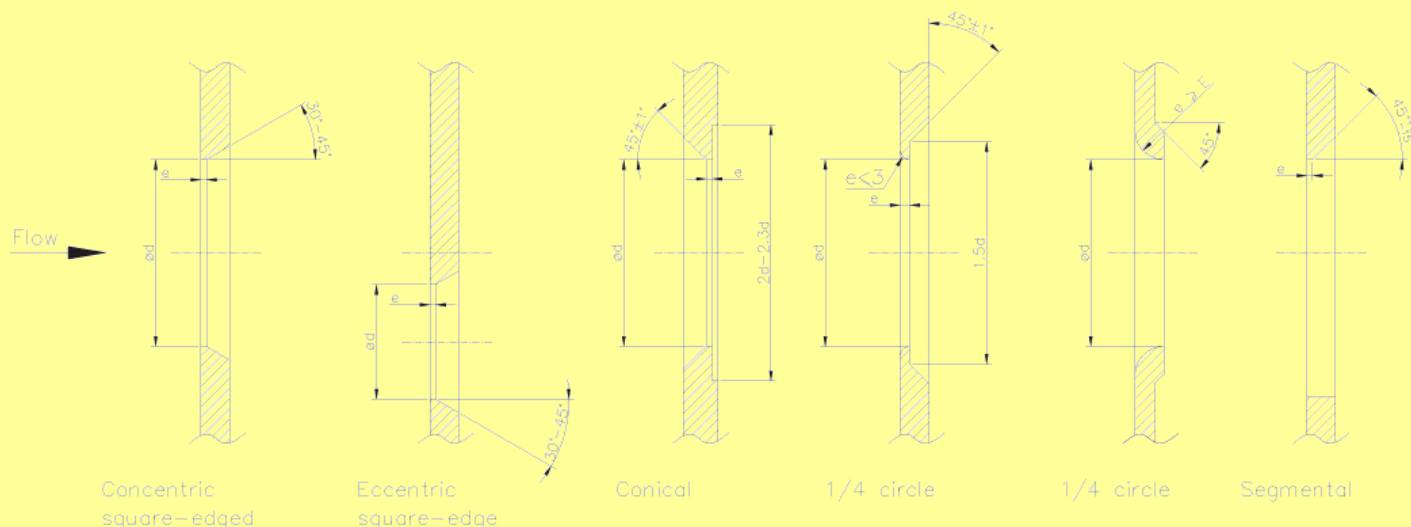


PIROVAT SISTEMAS, S.L.

POL. IND. PLA DE VIDRERES – C/ B, NAVE 7 - 17411 VIDRERES (GIRONA) - SPAIN

Tel. 0034972850607 Fax. 0034972875590 email: admin@pirovat.com - www.pirovat.com

Orifice plate shapes: Square edge concentric, square edge eccentric, conical, 1/4 circle, segment. Orifice plates are beveled on the downstream side except for 1/4 circle orifice plate.



Marking : The carrier rings are marked with "+" and "-" and flow direction.

Technical Data

Accuracy : +/- 0,5 - 1 %

Pressure loss : Depending on β , for β equal to 0,6 : ca. 60 % of the differential pressure measured

Limits for Reynolds No : $Re > 1260 \times \beta^2 D$ according to ISO 5167 2000 $< Re < 108$ according to ASME MFC-3M

Sizes:

DN	Inch	Total length
10	3/8"	400
15	1/2"	550
20	3/4"	700
25	1"	900
32	1 1/4"	1100
40	1 1/2"	1300
50	2"	1500
65	2 1/2"	1600
80	3"	1800
100	4"	2200

All dimensions in mm.

PIROVAT SISTEMAS, S.L.

POL. IND. PLA DE VIDRERES – C/ B, NAVE 7 - 17411 VIDRERES (GIRONA) - SPAIN

Tel. 0034972850607 Fax. 0034972875590 email: admin@pirovat.com - www.pirovat.com